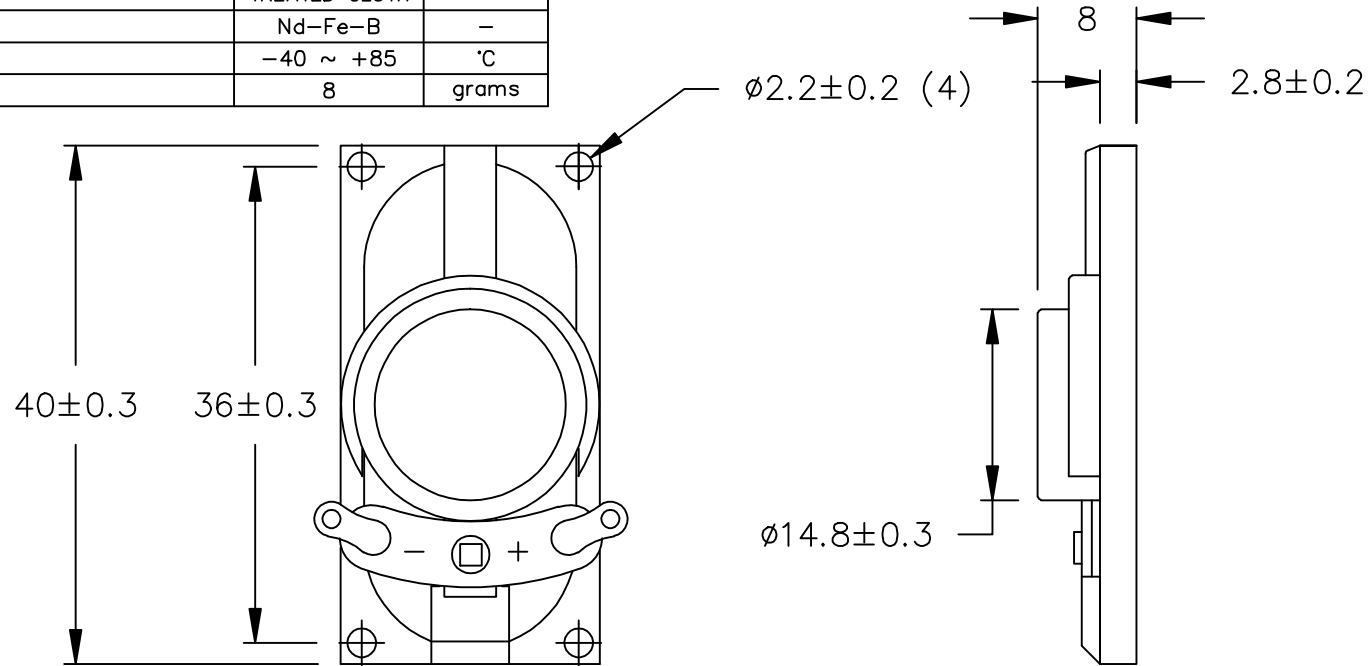


THIS DOCUMENT CONTAINS DATA PROPRIETARY TO PROJECTS UNLIMITED, INC. ANY USE OR REPRODUCTION, IN ANY FORM, WITHOUT PRIOR WRITTEN PERMISSION OF PROJECTS UNLIMITED, INC. IS PROHIBITED.
 ©2005, Projects Unlimited Inc.

SPECIFICATIONS

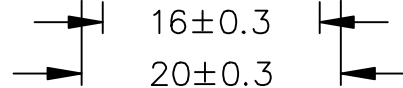
PARAMETERS	VALUES	UNITS
RATED INPUT POWER	1.5	W
MAX INPUT POWER	3	W
IMPEDANCE	8±15%	OHM
OUTPUT SPL @ 1W/0.5M (AT 0.8, 1.0, 1.2, 1.5 kHz)	84±3	dB
DISTORTION (MAX.)	5%	-
RESONANT FREQUENCY	550±20%	Hz
FREQUENCY RANGE	200 ~ 20000	Hz
HOUSING MATERIAL	ABS	-
CONE MATERIAL	TREATED CLOTH	-
MAGNET MATERIAL	Nd-Fe-B	-
OPERATING TEMPERATURE	-40 ~ +85	°C
WEIGHT	8	grams

REVISIONS			
LTR	DESCRIPTION	DATE	APPROVED
-	RELEASED FROM ENGINEERING	5/17/07	
A	REVISED RESONANT FREQUENCY	3/11/08	R.W.
B	REVISED OPERATING TEMPERATURE	8/8/08	C.W.



NOTES:

- ALL DIMENSIONS ARE IN MILLIMETERS.
- SPECIFICATION SUBJECT TO CHANGE OR WITHDRAWAL WITHOUT NOTICE.
- THIS PART IS RoHS 2002/95/EC COMPLIANT.
- CONE HAS BEEN TREATED FOR WATER RESISTANCE.



FILE NAME
AS04008CO-2-WR-R.DWG

UNLESS OTHERWISE SPECIFIED:
DIMENSIONS ARE IN MILLIMETERS. TOLERANCES ARE ±0.5 AND ANGLES ARE ±3°.

projects® unlimited Dayton, Ohio

SPEAKER

APPROVALS	DATE
DRAWN J.D.	5/07
CHECKED D.F.	5/07
APPROVED R.W.	5/07

SIZE A DRAWING NO. AS04008CO-2-WR-R

DO NOT SCALE DRAWING

SCALE: N.T.S.

SHEET 1 OF 1